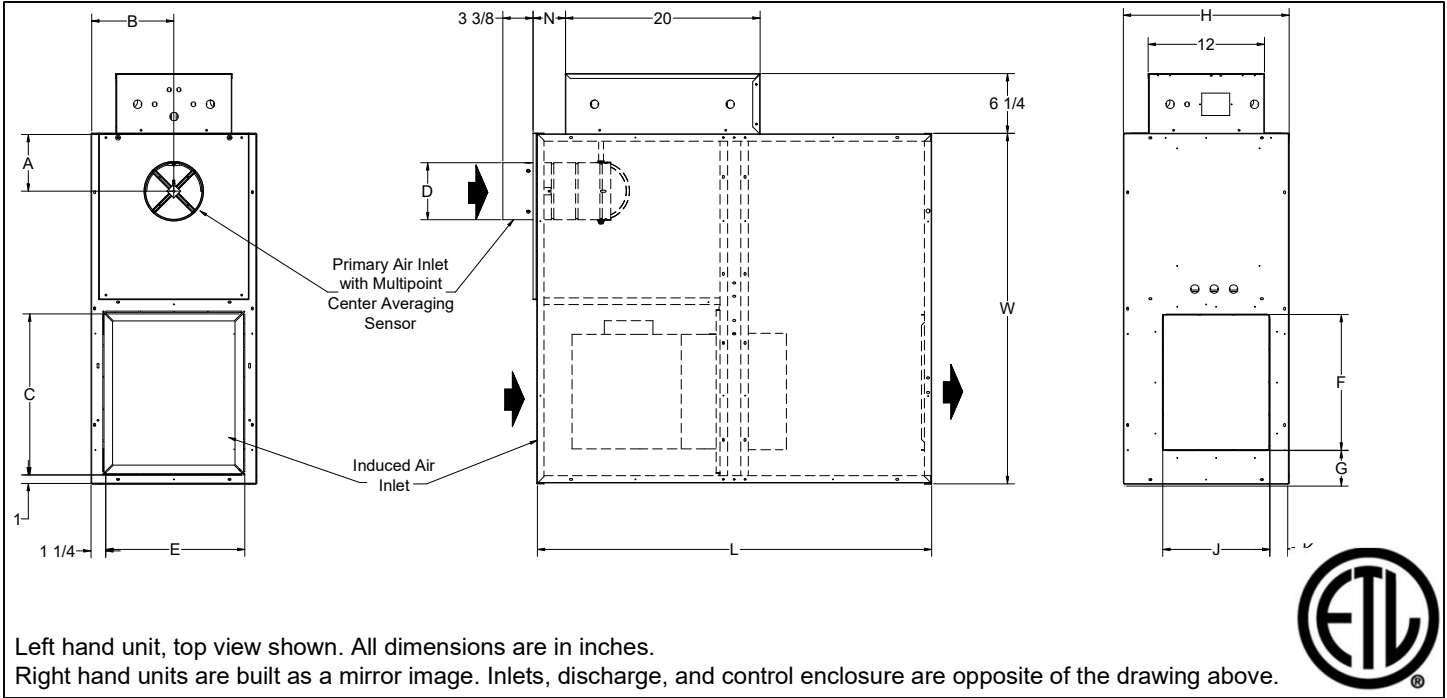


## DTQP

Fan Powered Terminal, Parallel Flow  
Direct Digital Control, Pressure Independent



Unit Size	Inlet Size	A	B	C	D	E	F	G	H	J	K	L	W	N	Filter Size
2, 3	6	6	8 <sup>9</sup> / <sub>16</sub>	16 <sup>3</sup> / <sub>4</sub>	5 <sup>7</sup> / <sub>8</sub>	14 <sup>1</sup> / <sub>2</sub>	14	3 <sup>1</sup> / <sub>2</sub>	17 <sup>1</sup> / <sub>8</sub>	11	2 <sup>1</sup> / <sub>8</sub>	40 <sup>7</sup> / <sub>8</sub>	36 <sup>1</sup> / <sub>8</sub>	2 <sup>7</sup> / <sub>8</sub>	19 x 17
	8	7 <sup>7</sup> / <sub>8</sub>			4 <sup>7</sup> / <sub>8</sub>										
	10	9 <sup>7</sup> / <sub>8</sub>			4 <sup>7</sup> / <sub>8</sub>										
	12	11 <sup>7</sup> / <sub>8</sub>			4 <sup>7</sup> / <sub>8</sub>										
4	8	6	10 <sup>1</sup> / <sub>16</sub>	24 <sup>1</sup> / <sub>2</sub>	7 <sup>7</sup> / <sub>8</sub>	17 <sup>1</sup> / <sub>2</sub>	16 <sup>1</sup> / <sub>2</sub>	9 <sup>1</sup> / <sub>2</sub>	20 <sup>1</sup> / <sub>8</sub>	14 <sup>1</sup> / <sub>2</sub>	3 <sup>1</sup> / <sub>8</sub>	46 <sup>7</sup> / <sub>8</sub>	48 <sup>1</sup> / <sub>8</sub>	2 <sup>7</sup> / <sub>8</sub>	27 x 20
	10	9 <sup>7</sup> / <sub>8</sub>			4 <sup>7</sup> / <sub>8</sub>										
	12	11 <sup>7</sup> / <sub>8</sub>			4 <sup>7</sup> / <sub>8</sub>										
	14	13 <sup>7</sup> / <sub>8</sub>			6 <sup>7</sup> / <sub>8</sub>										
5	10	7	10 <sup>1</sup> / <sub>16</sub>	24 <sup>1</sup> / <sub>2</sub>	9 <sup>7</sup> / <sub>8</sub>	17 <sup>1</sup> / <sub>2</sub>	16 <sup>1</sup> / <sub>2</sub>	9 <sup>1</sup> / <sub>2</sub>	20 <sup>1</sup> / <sub>8</sub>	14 <sup>1</sup> / <sub>2</sub>	3 <sup>1</sup> / <sub>8</sub>	46 <sup>7</sup> / <sub>8</sub>	48 <sup>1</sup> / <sub>8</sub>	4 <sup>7</sup> / <sub>8</sub>	27 x 20
	12	11 <sup>7</sup> / <sub>8</sub>			4 <sup>7</sup> / <sub>8</sub>										
	14	13 <sup>7</sup> / <sub>8</sub>			6 <sup>7</sup> / <sub>8</sub>										
	16	15 <sup>7</sup> / <sub>8</sub>			6 <sup>7</sup> / <sub>8</sub>										
6	12	8	10 <sup>1</sup> / <sub>16</sub>	24 <sup>1</sup> / <sub>2</sub>	11 <sup>7</sup> / <sub>8</sub>	17 <sup>1</sup> / <sub>2</sub>	16 <sup>1</sup> / <sub>2</sub>	9 <sup>1</sup> / <sub>2</sub>	20 <sup>1</sup> / <sub>8</sub>	14 <sup>1</sup> / <sub>2</sub>	3 <sup>1</sup> / <sub>8</sub>	46 <sup>7</sup> / <sub>8</sub>	48 <sup>1</sup> / <sub>8</sub>	4 <sup>7</sup> / <sub>8</sub>	27 x 20
	14	13 <sup>7</sup> / <sub>8</sub>			6 <sup>7</sup> / <sub>8</sub>										
	16	15 <sup>7</sup> / <sub>8</sub>			6 <sup>7</sup> / <sub>8</sub>										
					6 <sup>7</sup> / <sub>8</sub>										

### Motor Amperage Ratings

Unit Size	Motor hp	120/1/60 FLA	208/240/1/60 FLA	277/1/60 FLA
2	<sup>1</sup> / <sub>6</sub>	3.0	1.4	1.0
3	<sup>1</sup> / <sub>4</sub>	3.9	1.7	1.5
4	<sup>1</sup> / <sub>3</sub>	7.4	3.0	2.6
5	<sup>1</sup> / <sub>3</sub>	7.4	3.0	2.6
6	<sup>3</sup> / <sub>4</sub>	11.2	5.3	4.5

FLA = Full Load Amperage, as tested in accordance with UL 60335

All fan motors are single phase, same voltage as electric coil (when supplied), with exception that 277 V motors are used with 480V, 3 phase coils (4 wire wye).

### Accessories (Optional)

Check  if provided.

- Induced Air Filter, 1" thick, disposable construction type
- Fan disconnect switch (not available on units with optional electric coils.)
- Fibre Free Liner
- SteriLoc Liner
- ½" EcoShield Liner
- ½" EcoShield Liner (Foil Face)
- ½" Fibre Free Liner
- UltraLoc Liner
- Fan unit fusing
- 1" Fiberglass Liner
- 1" EcoShield Liner
- 1" EcoShield Liner (Foil Face)
- 1" Fibre Free Liner
- Hanger Brackets
- Cam Latch for Access Door

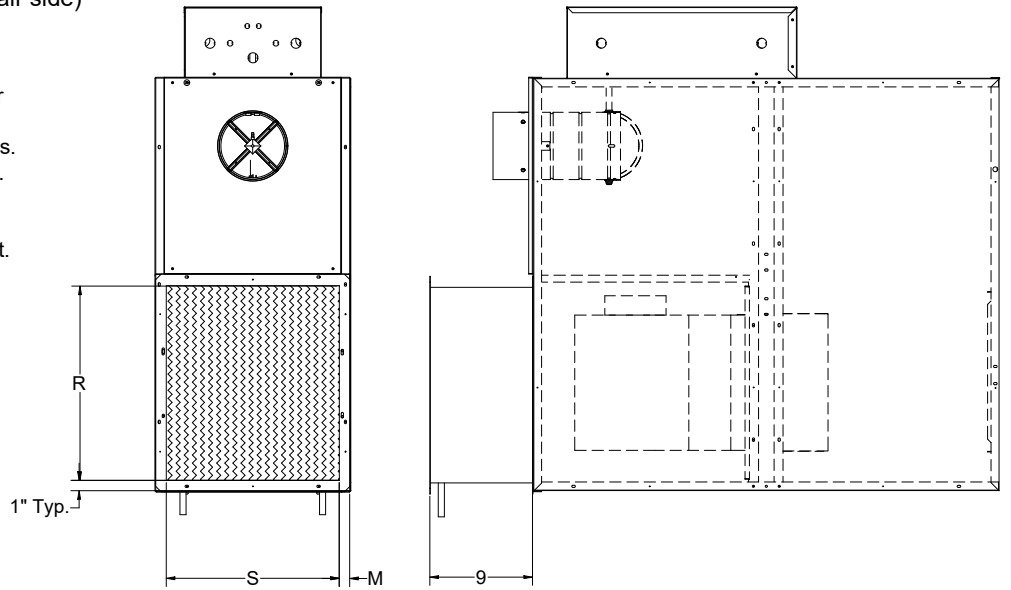
### Accessories (Optional)

Hot Water Coil Section (Induced air side)

- 1/2" copper tubes
- Aluminum ripple fins, 10 per inch
- Connections: Male solder, 5/8" for both 1-row and 2-row. Right hand connections only on left hand units. Left hand only on right hand units.
- Galvanized steel casing
- Flanged duct connection.
- Coil is installed at induced air inlet.

1 Row

2 Row



Unit Size	M (1 row)	M (2 row)	R	S
2, 3, 4	1	1 1/4	17	15
5, 6	1	1 1/4	25	17 1/2

R and S are inside dimensions.

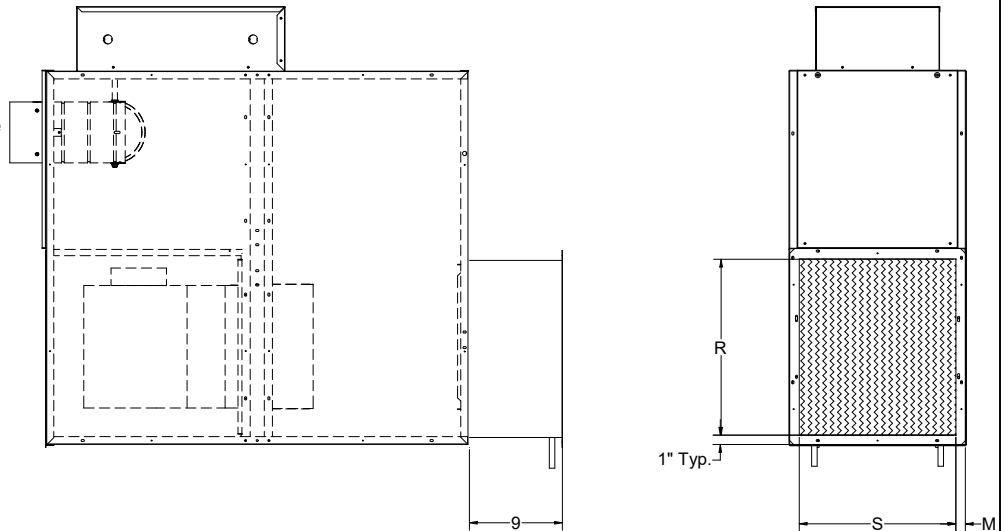
### Accessories (Optional)

Hot Water Coil Section (Discharge Side)

- 1/2" copper tubes
- Aluminum ripple fins, 10 per inch
- Connections: Male solder, 5/8" for both 1-row and 2-row. Right hand and left-hand connections available regardless of handing of controls.
- Galvanized steel casing
- Flanged duct connection.
- Coil is installed at discharge outlet.

1 Row

2 Row



Unit Size	M (1 row)	M (2 row)	R	S
3, 4	1	1 1/4	17	15
5, 6	1	1 1/4	25	17 1/2

R and S are inside dimensions.

- Electric Coil Section       Optional SCR Controlled Electric Heater       Optional Lynergy Controlled Electric Heater

**Standard Features**

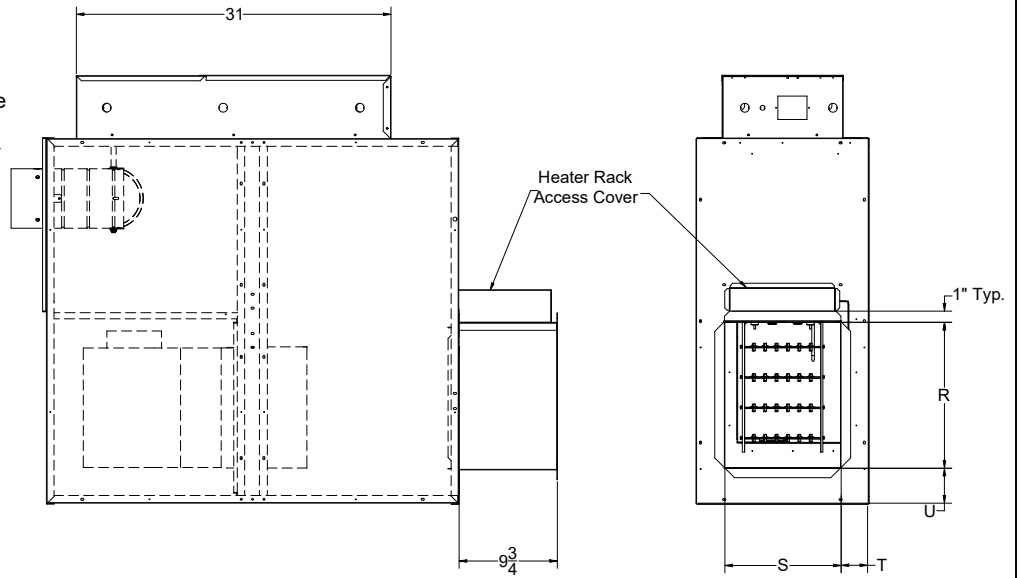
- Single side access to low voltage, high voltage, and electric heater controls.
- Automatic reset thermal cutouts, one per element
- Single point electrical connection for entire unit
- Positive pressure flow switch
- Flanged duct connection
- Coil is installed at discharge of unit.
- Transformer

**Options**

- Fuse Block
- Disconnect switch, door interlock type
- Manual reset cutout
- Dust tight construction
- Mercury contactors

**Supply Voltage**

- 208V, 1 ph, 60Hz
- 240V, 1 ph, 60Hz
- 277V, 1 ph, 60Hz
- 208V, 3 ph, 60Hz
- 480V, 3 ph, 60Hz (4 wire wye only)



Unit Size	U	R	S	T
2, 3, 4	3 1/2	14	11	2 1/8
5, 6	9 1/2	16 1/2	14 1/2	3 1/8

R and S are inside dimensions.

**General Description**

- Heavy steel casing, with leak resistant construction.
- Dual density insulation, coated to prevent air erosion, meet requirements of NFPA 90A and UL 181.
- Energy efficient fan motor, permanent split capacitor type, mounted in vibration isolators.
- Adjustable SCR fan speed control with minimum voltage stop.
- Bottom access panels can be removed for service.
- Multipoint, center averaging velocity sensor.
- Primary air flow balancing connections.
- Pressure independent primary flow control.
- Single point electrical connections.
- Rectangular discharge opening is designed for flanged duct connections.

This submittal is meant to demonstrate general dimensions of this product. The drawings are not meant to detail every aspect of the product. Drawings are not to scale. Titus reserves the right to make changes without written notice.